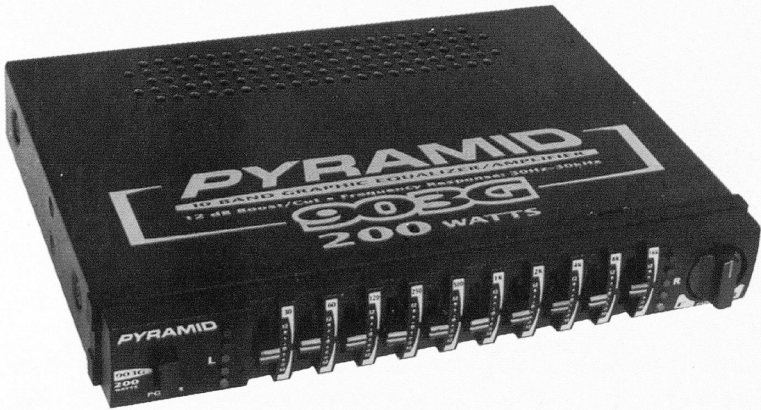


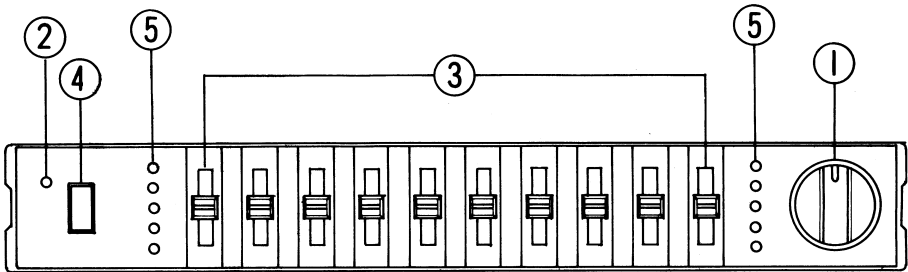
PYRAMID[®] **Gold Series** **OWNER'S** **MANUAL**



**INSTALLATION AND OPERATING
INSTRUCTIONS**

**SUPER-SLIM 10-BAND GRAPHIC
EQUALIZER BOOSTER WITH
LED POWER LEVEL INDICATOR**

MODEL NO: 903G



1. FADER CONTROL
2. LED POWER INDICATOR
3. 10 BAND EQUALIZER CONTROL
4. POWER SWITCH
5. POWER LEVEL INDICATOR

This amplifier is equipped with a graphic equalizer, by which you can control the sound independently at Ten points through low to high frequency, so that you can make your car cabin as an ideal sound listening hall for high fidelity. The amplifier features high power as specified at lower distortion by BTL circuit.

OPERATION:

1. Power switch:

Just press the power switch and the amplifier will be on by lighting LED lamp. While the switch is on Bypass position sound directly comes from the radio.

2. Equalizer controls:

For Equalizer controls you can control sound separately at ten Hz points (30 Hz, 60 Hz, 120 Hz, 250 Hz, 500 Hz, 1 KHz, 2 KHz, 4 KHz, 8 KHz, 16 KHz) through low to high frequency. When the slide controls are set at the center position, the frequency response is flat. In sliding control knobs up from the center, each frequency gains are increased and decreased in sliding control knobs down.

3. Fader control:

A) For 4 speakers system:

Fader control can be adjusted by turning the knob to the front side brings up the level of the front speakers, turning it to the rear side brings up that of the rear's at mid-position, both sets of speakers are at maximum level.

B) For 2 speakers system:

The Fader control knob should be turned to the end of position which provides the loudest sound for using set of speaker.

4. LED power indicators:

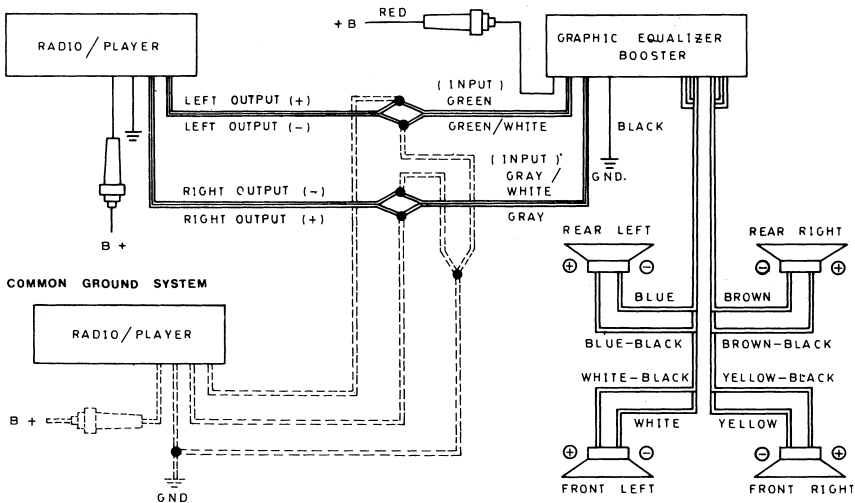
These rows of LED shows the AMPLIFIER output power independently both left and right channel, measured on peak level.

CAUTION PLEASE NOTE

1. The unit and the speaker will be damaged if there is a connection to the ground (chassis) from any speaker wire.
2. For best result, speakers should be rated to safely handle the additional power output provided by the unit speakers with low power rating may be damaged.
3. This equipment is **intended** for use in 12VDC negative ground electrical system only. The use of voltage or polarity converters is discouraged.
4. To avoid the possibility of short-circuiting the output stages both radio and the amplifier should be switched-off (preferably disconnected from the power supply) when installing and wiring the speakers.

ELECTRICAL CONNECTIONS

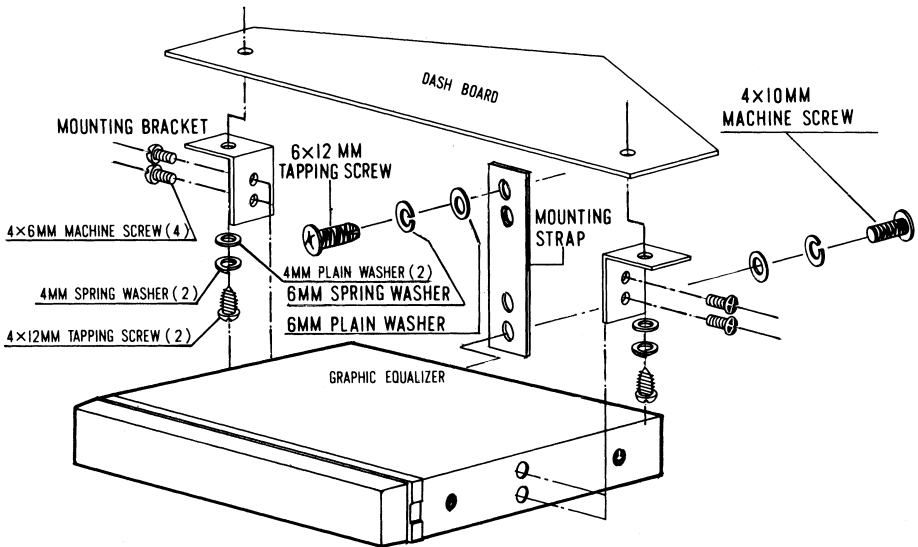
FLOATING GROUND SYSTEM



Mounting:

The amplifier should be installed under the dash in a location with ample air-flow to provide maximum cooling.

INSTALLATION



MAINTENANCE

Your Pyramid 200 Watts Equalizer/Booster is an example of superior design and craftsmanship. The following suggestions will help you care for your equalizer/booster so you can enjoy it for years.



Keep the equalizer/booster dry. If it gets wet, wipe it dry immediately. Liquids can contain minerals that corrode electronic circuits.



Use and store the equalizer/booster only in normal temperature environments. Temperature extremes can shorten the life of electronic devices and distort or melt plastic parts.



Handle the equalizer/booster gently and carefully. Dropping it can damage circuit boards and cases and can cause it to work improperly.



Keep the equalizer/booster away from dust and dirt, which can cause premature wear of parts.



Wipe the equalizer/booster with a damp cloth occasionally to keep it looking new. Do not use harsh chemicals, cleaning solvents, or strong detergents to clean your amplifier.

SPECIFICATIONS:

1. Power Source : DC 11~16V
2. Output Power : 100 Watts per channel.
200 Watts peak power output.
(60 Watts R. M. S.)
3. Output Impedance : 4~8 ohms
4. Output Level : 10 LED Display
5. Control Frequencies : 30 Hz, 60 Hz, 120 Hz, 250 Hz, 500 Hz,
1 KHz, 2 KHz, 4 KHz, 8 KHz, 16 KHz.
6. Control Range : 12dB (min.) Boost or cut
7. Control Type : Slide center detent for flat setting
8. Frequency Response : 30 Hz~30 KHz
9. Input Impedance : 100 ohm
10. Circuit Type : BTL (Balanced Transformer Less) Type
11. Fuse in Use : 6A
12. Semiconductors : 9 IC's and 11 LED_s
13. Dimensions (m/m) : 178(W)×129(D)×25(H)

